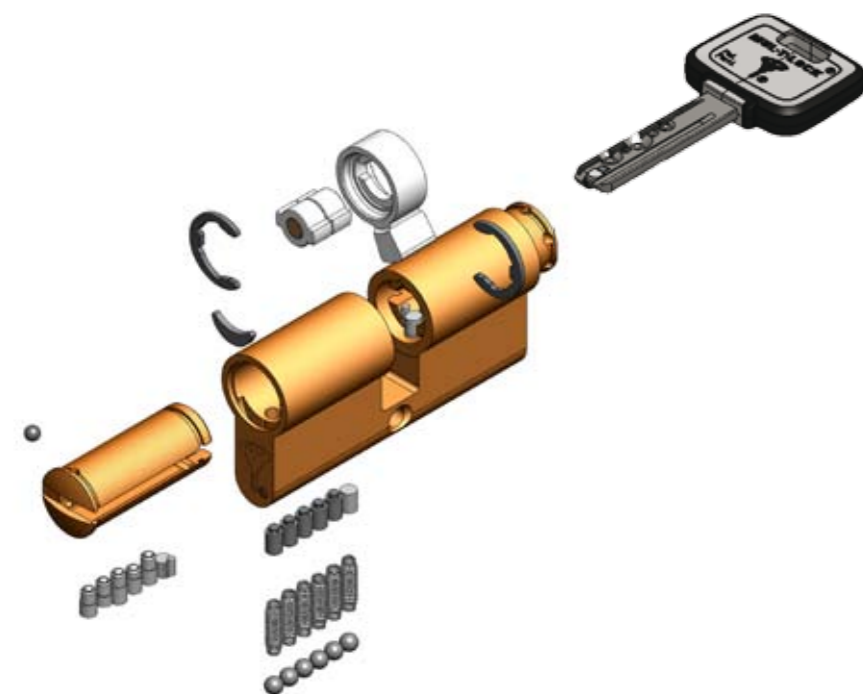


## A NEW LEVEL IN HIGH SECURITY - Mul-T-Lock R&D Delivers Complete Peace of Mind

Mul-T-Lock's expert R&D team has been busy perfecting a brand new locking concept that would address its customers' security requirements worldwide.

The result:

The MT5®, the fifth generation platform, with breakthrough features and the built-in experience of three decades.



**MT5 - The new business multiplier.**  
**When you offer the best, you win customer satisfaction and loyalty.**  
**The best way to secure your market.**

## PARTNER WITH A LEADER

- ▶ A member of the world leading ASSA ABLOY Group
- ▶ One of the top ten High Security locking solution companies in the world
- ▶ Over 3 decades of innovative High Security
- ▶ More than 500 patent registrations worldwide
- ▶ Serving every sector: industrial, commercial, institutional, OEM, residential and automotive
- ▶ 10 selling units, 20,000 service centers, 5 continents, almost 100 countries



THE 5<sup>th</sup> GENERATION  
OF HIGH SECURITY



With its readiness to rapidly respond to any challenge, Mul-T-Lock provides peace of mind through offering comprehensive, customized, top security cylinder and locking solutions and service worldwide.

ASSA ABLOY is the global leader in door opening solutions, dedicated to satisfying end-user needs for security, safety and convenience.

[www.mul-t-lock.com](http://www.mul-t-lock.com)

The Mul-T-Lock name and the muscleman logo, and any other name, mark or logo used by Mul-T-Lock and marked by an ® or ™ sign are registered/pending trademarks of Mul-T-Lock Ltd. in various countries. Mul-T-Lock reserves the right to make any product improvements or modifications without prior notice. © 2008 Mul-T-Lock Technologies Ltd. Cat. No. 98107949-D

An ASSA ABLOY Group brand

ASSA ABLOY





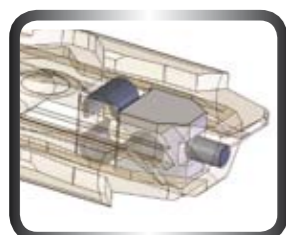
## THE NEW CONCEPT - 2 Locking Mechanisms for More Security

The MT5® is Mul-T-Lock's new patented cylinder platform, enhancing your security by combining two advanced technologies:



1

A new configuration of Mul-T-Lock's well-honed telescopic pin technology.



2

At the tip of the key is a patented mobile interacting spring - the Alpha Spring. The Alpha Spring engages a unique pin at the rear of the mechanism, creating another shearline.

## THE MT5 KEY

All MT5 products have a patented double-sided key, with a set of cuts that fit the 5 telescopic pins, and the Alpha Spring that engages a special pin to create an additional shearline. Combining the two mechanisms, the MT5 provides enhanced key security and higher manipulation resistance. To maximize user friendliness, the key also features an elegant, ergonomic key head with a special silky texture.



## ADVANCED KEY CONTROL

The MT5 key secure system is supported by the unique key authorization magnetic strip card. This card must be presented to the locksmith to enable additional keys to be supplied. Only when the magnetic key card is presented to the dedicated MT5 key duplication machine can the required key code be configured.



## THE KC5™ KEY CUTTING MACHINE

There is also a brand new key-cutting machine, which yet again looks set to push the boundaries in a highly competitive marketplace.

The new, super-smart KC5 key-cutting machine has many advanced benefits:

- Electronic control
- Self-calibration
- A magnetic key card for uploading the key combination
- A key engraving kit
- Software that interfaces with MASTERpiece - Mul-T-Lock's master key software – for automatic cutting of large series of MT5 keys

Best of all, the KC5, with its innovative operating system, is remarkably easy to use. It cuts keys of all Mul-T-Lock platforms, including the new MT5 – for which it uses the customer's own magnetic security card, for ultimate key control.



- ▶ 2 locking mechanisms for more security
- ▶ Unique authorization card
- ▶ Large, complex Master Key Systems
- ▶ Electronically-controlled key cutting machine
- ▶ Combining security and simplicity