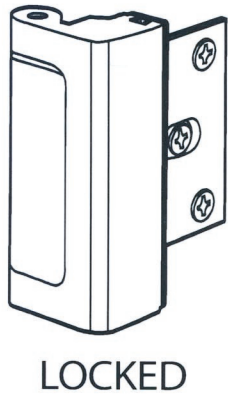
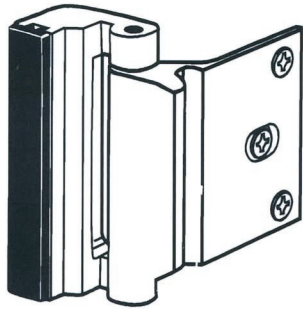


# Door Guardian™ Installation Instructions

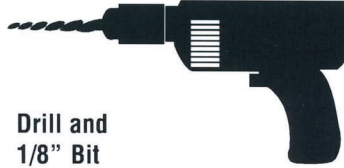


LOCKED



UNLOCKED

Tools Required:



Drill and  
1/8" Bit



Phillip's Screwdriver



Two - 8 x 3" Drywall Screws



Three - 8 x 3/4" Self-tapping  
Screws (for metal jambs)

**NOTE:** A hammer and chisel will be necessary if the lock mount is to be mortised into a wooden door jamb. A hammer and center punch is required to mount to a metal jamb.

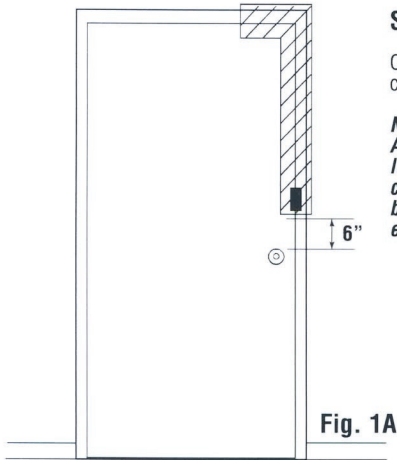
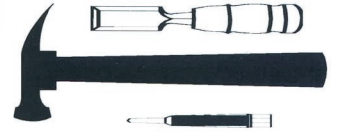


Fig. 1A

## Step 1.

On the interior side of an inswinging door, choose the location for the Door Guardian.

**NOTE:** Door Guardian should be mounted AT LEAST 6" from any pre-installed locking device or door knob. To prevent children from accessing the door blocker, mounting should be high enough to keep out of children's reach.

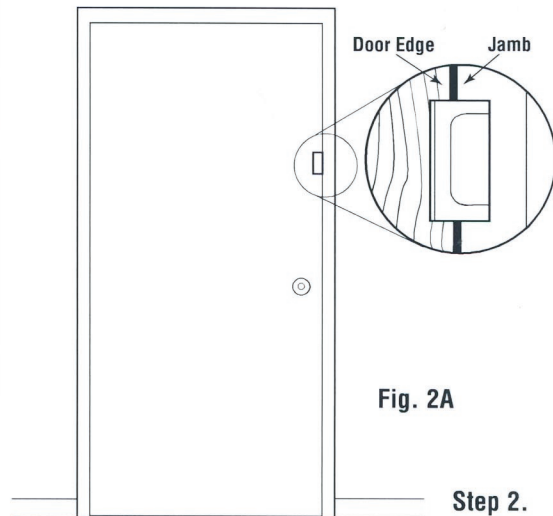


Fig. 2A

## Step 2.

With door closed and Door Guardian in LOCKED position, test fit the mounting plate between the door edge and the jamb. (See Fig. 2A)  
If the mounting plate does not fit between these parts of the doorway, you will need to mortise the door jamb for a proper fit.

To mortise the Door Guardian, mark the position of the Door Guardian on jamb with pencil. Open the door and place the door blocker between the pencil marks on the jamb.  
**NOTE:** Depth of the Door Guardian mounting plate should NOT EXCEED the depth of the stop moulding at the center of the jamb. (See Fig. 2B)  
Trace the outside edge of the mounting plate onto the jamb and remove 1/16" of material to accommodate the mounting plate using the wood chisel.

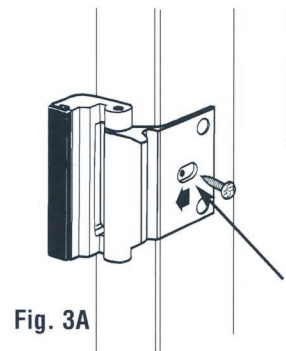


Fig. 3A

## Step 3.

Mark and pre-drill a hole for the OBLONG screw hole using a 1/8" drill bit. Do not tighten fully. Close door and lock Door Guardian to assure proper positioning before installing the longer security screws into jamb.

Center hole toward interior of room to allow for adjustment.

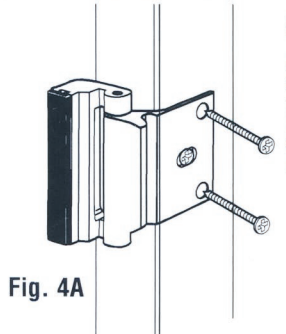


Fig. 4A

## Step 4.

After final position is determined, tighten the short screw to maintain this position. Mark and pre-drill holes for the security screws. Mount the Door Guardian securely and test for proper operation.

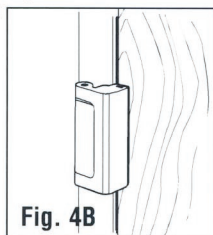


Fig. 4B

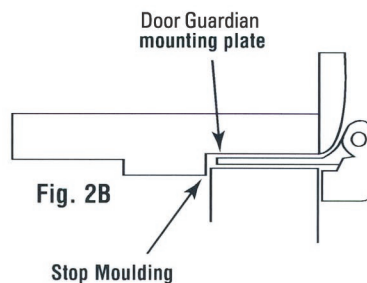


Fig. 2B