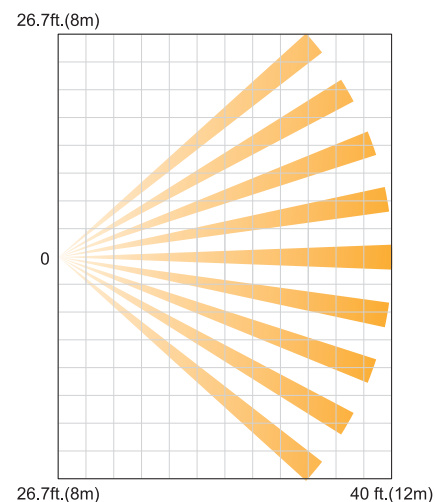
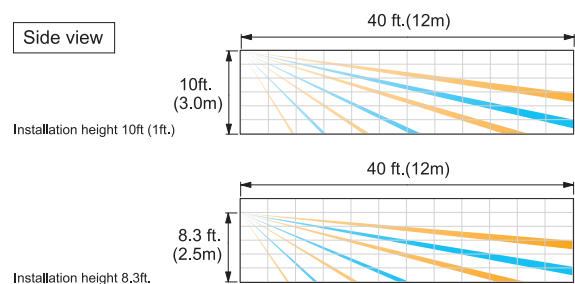


Detection Area

Top view

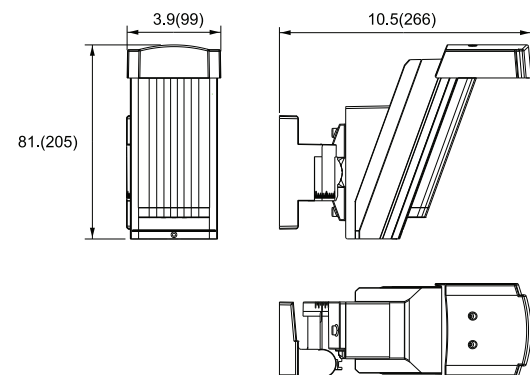


Side view

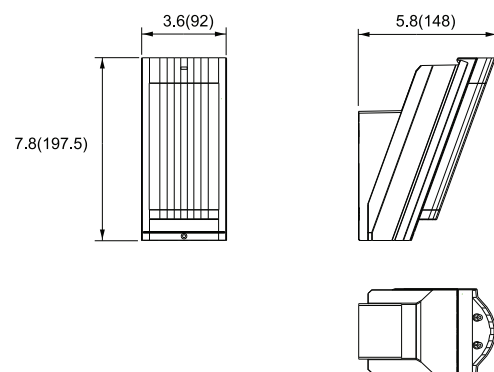


Dimensions

Using bracket and hood



Without bracket and hood



in(mm)

Dimensions

| Model | HX-40 | HX-40AM | HX-40RAM |
|-----------------------|--|----------------------------|---|
| Detection method | Passive infrared | | |
| PIR Coverage | 40ft. (12m) 85° wide / 94 zones | | |
| Distance limit | 13ft., 18ft., 30ft., 40ft. (4 m, 5.5 m, 9 m, 12 m) | | |
| Detectable speed | 1 - 5 ft/s (0.3-1.5 m/s) | | |
| Sensitivity | 3.6°F (2.0°C) at 0.6 m/s | | |
| Power input | 9.5-18VDC | | 3-7.2VDC Lithium |
| Current draw | 35mA (max) at 12VDC | 40mA (max) at 12VDC | 4mA (max) at 3VDC |
| Alarm period | 2.0±1 sec | | |
| Warm-up period | Approx. 60 sec(LED blinks) | | Approx. 90 sec(LED blinks) |
| Alarm output | Form C 28VDC 0.2A max | | Form C-Solid State-10VDC 0.01A max |
| Tamper output | N.C. 28V DC, 0.1A max.N.C. open when cover removed. | | Form C. 28V DC, 0.1A max.N.C. changes when cover removed. |
| Trouble output | - | N.C. 28V DC, 0.1A max | N.C./N.O. Selectable -Solid State Switch- 10V DC, 0.01A max |
| Aux input | N.C. 28V DC, 0.1A max | | |
| LED indicator | Red:Warm-up, Alarm | Red:Warm-up, Alarm,Trouble | Disable: During Normal Operation Enable: During WALK TEST or LED SW on Red: Warm Up, Alarm, Trouble, Low Battery |
| RF Interference | No alarm 10 V/m | | |
| Operating temperature | -4 ~+140°F (-20 ~+60°C) | | |
| Environment humidity | 95% max | | |
| Weatherproof | IP55 | | |
| Mounting | Wall (Outdoor, Indoor) | | |
| Mounting height | 8.3 - 10 ft. (2,5 - 3 m) | | |
| Bracket adjust angle | Vertical: ±20° Horizon: ±95° | | |
| Weight | 21.2 oz (600 g) | | |
| Accessories | Bracket, Hood, Area masking seal, Screw kit (3×10-2, 4×20-4) | | Bracket, Hood, Area masking seal, Screw kit (3×10-2, 4×20-4) Velcro tape x2, Alarm Cable, Battery lead x2, Dummy battery kit |

NOTE:
This unit is designed to detect movement of an intruder and activate an alarm control panel. Being only a part of a complete system,we cannot accept responsibility for any damages or other consequences resulting from an intrusion. This product conforms to the category "Residential, Commercial and Light Industry" of EMC Directive 89/336.

Accessories (These are included in package)

180° angle adjustable bracket

It reduces false and missed alarms by achieving the accurate installation.



Hood

It prevents the direct sunlight and water getting into the lens.



OPTEX INCORPORATED (USA)
13661 Benson Ave. Chino, CA 91710
TEL. 800-966-7839 FAX 909-628-5560
www.optexamerica.com



High Mount Outdoor Detector
HX Series

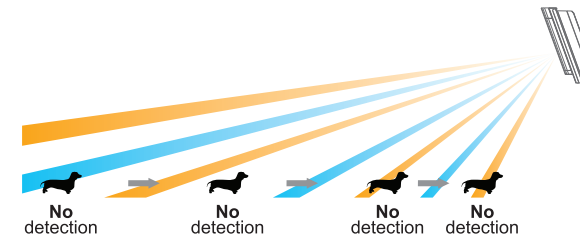
- 8.3ft to 10ft. mounting height
- High density two detection zones with unique pyro-element
- Dual signal processing circuit
[Automatic sensitivity adjustment in a hostile environment]
- Vegetation sway analysis logic
- Ideal detection area setting
- Environment-responsive design to achieve appropriate installation
- Anti-Masking Technology (HX-40AM)
- Battery Operated, Anti-Masking version (HX-40RAM)



High detection performance to prevent false and missed alarms

Intelligent AND logic with unique pyro-element

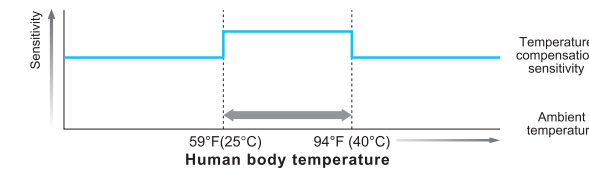
The HX employs originally developed pyro-elements which creates unique area configuration with 94 high density detection zones. By utilizing the AND detection pattern technology - upper and lower detection areas have to be activated in order to generate an alarm condition, the HX series prevents false alarms caused by pet or small animal.



Dual signal processing circuit

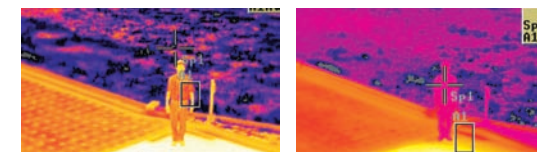
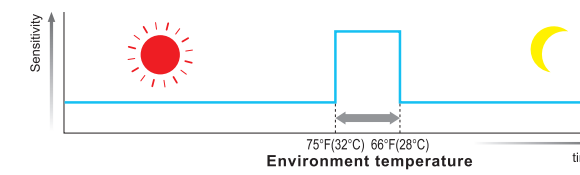
● **Advanced temperature compensation logic**

It automatically increases the detector's sensitivity, especially where the background temperature ranges from approx. 59 – 94°F (25 to 40°C), close to that of the human body.



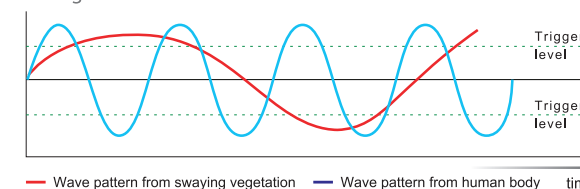
● **Summer night compensation logic**

It is effective for the severe environmental condition such as summer evening and nights. The HX series addresses this issue by the additional measurement of luminance levels as the environment changes and allows sensitivity to automatically sharpen as environmental conditions require.



Vegetation sway analysis logic

The HX series monitors wave changes at all the times and automatically cancels the signal caused by swaying grass when it determines the increase of this distinctive wave changes.



Digital anti-masking technology (patent pending) HX-40AM

Digital processing circuit can guarantee its permanent reliability in a practical way. According to on going environmental changes the HX-40AM can regularly make automatic optimization.

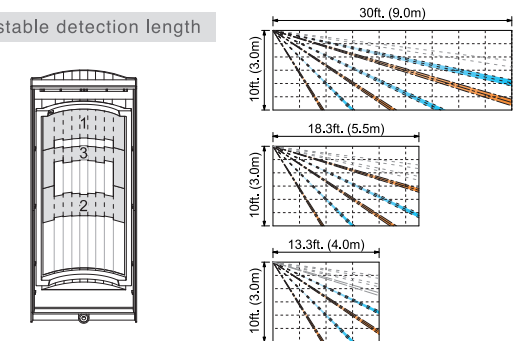
Double conductive shielding against unwanted light disturbances

By using double shielding, the visible light disturbances such as reflected sunlight and RFI can be blocked.

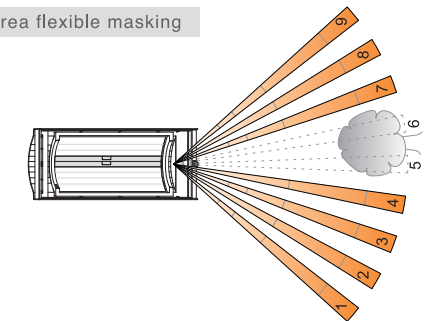
Ideal detection area setting to achieve accurate installation

● **With masking seal**

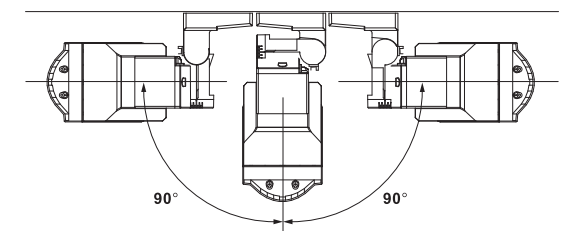
Adjustable detection length



Spot area flexible masking



● **With 180° angle adjustable bracket**



Environmental responsiveness design

- The look 20° downward design and accessory hood prevents the rain, wind, or direct sunlight direct to the lens surface.
- The original cuts done on the lens surface strengthen its durability and offers better protection against the outdoor severe environmental condition.



High Mount Outdoor Detector
High reliable outdoor detector with
brand-new pyro-element
HX series

| | | |
|---|--|--|
| HX-40 High mount outdoor PIR detector | HX-40AM High mount outdoor PIR detector with anti-masking function | HX-40RAM Battery Operated High mount outdoor PIR detector with anti-masking function |
|---|--|--|

The HX-40 series is the newest addition to the Optex line of outdoor detectors. With it's stability and reliability, the HX-40 series is the perfect fit for high-end applications.

The HX-40 detectors include two high density detection zones with unique pyro elements and an accurate discrimination function for spot temperature changes of moving objects. Both features drastically reduce false and missed alarms caused by severe outdoor environmental changes. In addition, the sensor features "Ideal Detection Area Setting" which allow the sensors detection area to be set at 40', 30', 18.3' or 13.3'. This allows the installer to achieve accurate installation based on the surroundings.

Accurate detection performance is necessary in severe outdoor environments.

The HX series meets this requirement.